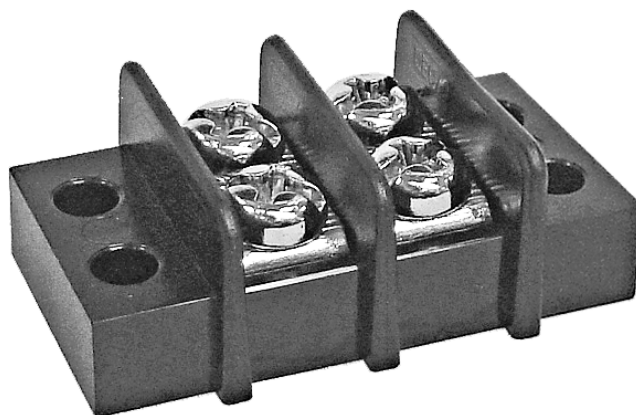


TYPE:T64 (中継式端子台)


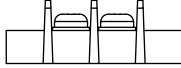
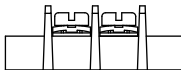


Pitch:9.50mm



ORDER GUIDE(注文方法):

T 64 - T 02

Body(本体)	Screw Style(ネジスタイル)	Poles(極数)
64: 両端取付穴付 (with mounts) 	T  W 	02 ⋮ 30

SPECIFICATION(規格,仕様):

Terminal :	Brass, Tin plated,0.8 t	端子金具 :	黄銅板 ハンダメッキ,0.8 t
Insulator body :	PC(UL94V-0), Black	本体 :	PC(UL94V-0), 黒色
Screw :	#6-32, steel, Ni plated	端子ネジ :	#6-32, 鉄ニッケルメッキ
Operation temperatures :	-40° C to +120° C	使用温度範囲 :	-40° C to +105° C
Rated current :	20Amp 300V	定格 :	20Amp 300V
Insulation withstands volt :	2000V 1min	耐電圧 :	2000V 一分間
Insulation resistance :	2000MΩ at DC 500V	絶縁抵抗 :	DC 500V 2000MΩ
Wire range :	12~22 AWG	適合電線 :	12~22 AWG
Screw torque :	12 lb-in	締付トルク :	12 lb-in

.374" PCB Tri-Barrier Terminal Blocks

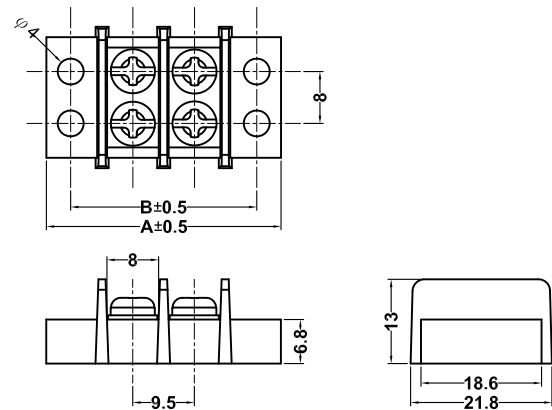
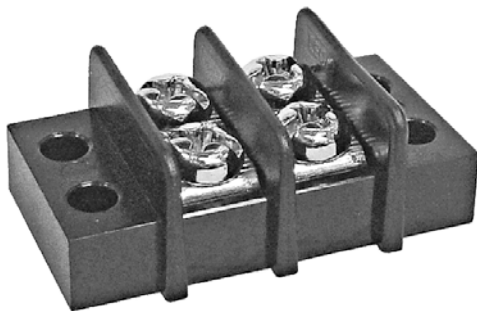
DECA[®]
SwitchLab

TYPE: T-64

Pitch:9.50mm

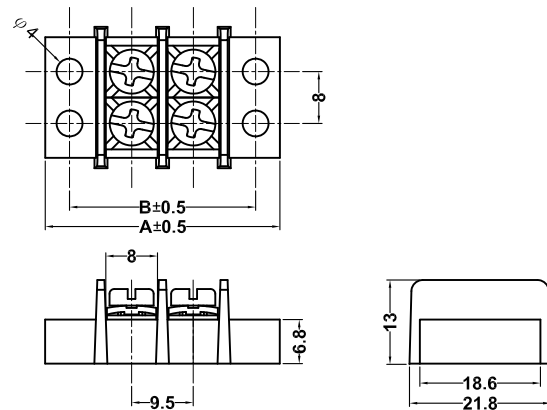
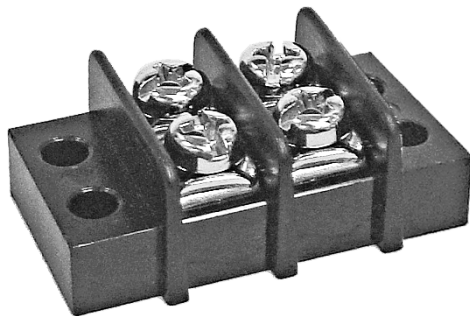
T64-T02

Screw style:T



T64-W02

Screw style:W



Poles	2	3	4	5	6	7	8	9	10	11	12	13	14	15	16
A(mm)	36.20	45.70	55.20	64.70	74.20	83.70	93.20	102.70	112.20	121.70	131.20	140.70	150.20	159.70	169.20
B(mm)	28.70	38.20	47.70	57.20	66.70	76.20	85.70	95.20	104.70	114.20	123.70	133.20	142.70	152.20	161.70
Poles	17	18	19	20	21	22	23	24	25	26	27	28	29	30	
A(mm)	178.70	188.20	197.70	207.20	216.70	226.20	235.70	245.20	254.70	264.20	273.70	283.20	292.70	302.20	
B(mm)	171.20	180.70	190.20	199.70	209.20	218.70	228.20	237.70	247.20	256.70	266.20	275.70	285.20	294.70	