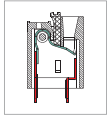


# MX722 PCB Spring Type Terminal Block



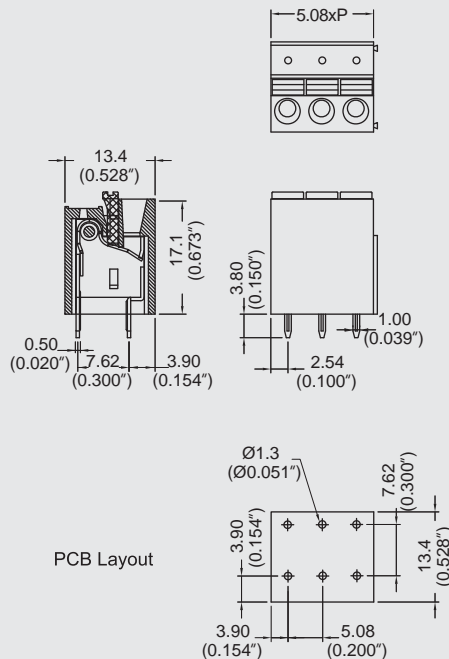
## DIMENSIONS/POSITIONS

## MX722-508M

間距	Pitch	5.08mm
位數	Poles	2 ~ 3Poles
塑膠本體	Housing Material	PA 66
端子	Contact	Brass, Tin Plated
彈片	Spring	Stainless Steel
電線線徑	Wire Size	16 ~ 26AWG
剝線長度	Wire Strip Length	9mm ~ 10mm
PCB孔徑	PCB Hole Diameter	1.3mm
環境作業溫度	Operating Temperature	-40° C to +105° C

## TECHNICAL DATA

連接符合標準 Connection in acc. with standard EN-VDE	
額定電流 I <sub>n</sub>	Nominal Current I <sub>n</sub> 10A
額定橫截面	Nominal Cross Section -
最大負載電流	Maximum load current 10A
絕緣材料	Insulating Material PA
阻燃等級,符合UL94 Inflammability class acc. to UL94	V0
額定電壓,UL/CUL Nominal voltage, UL/CUL	300V
額定電流,UL/CUL Nominal current, UL/CUL	10A



MX