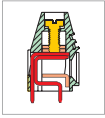


MH120 PCB Terminal Block, High Power- Modular



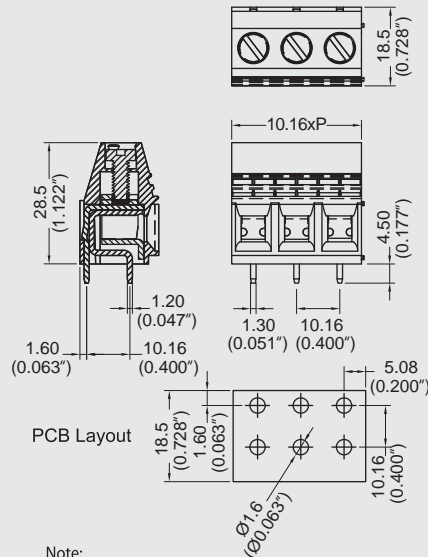
DIMENSIONS/POSITIONS

MH120-016M

間距	Pitch	10.16mm
位數	Poles	2 ~ 3Poles
塑膠本體	Housing Material	PA 66
壓線圈	Cage Clamp	Steel, Zinc Plated
端子	Contact	Copper, Tin Plated
螺紋	Screw Thread	M4.0, Steel, Zinc Plated
電線線徑	Wire Size	6 ~ 26AWG
剝線長度	Wire Strip Length	10mm ~ 11mm
PCB孔徑	PCB Hole Diameter	1.6mm
最大緊固扭矩	Tightening Torque, Max.	20.5 Lb-in
環境作業溫度	Operating Temperature	-40°C to +105°C

TECHNICAL DATA

連接符合標準 Connection in acc. with standard EN-VDE	
額定電流 I_n	Nominal Current I_n 65A
額定橫截面	Nominal Cross Section 10mm ²
最大負載電流	Maximum load current 65A
絕緣材料	Insulating Material PA
阻燃等級,符合UL94 Inflammability class acc. to UL94	V0
額定電壓,UL/CUL Nominal voltage, UL/CUL	300V
額定電流,UL/CUL Nominal current, UL/CUL	65A



MH