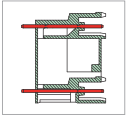


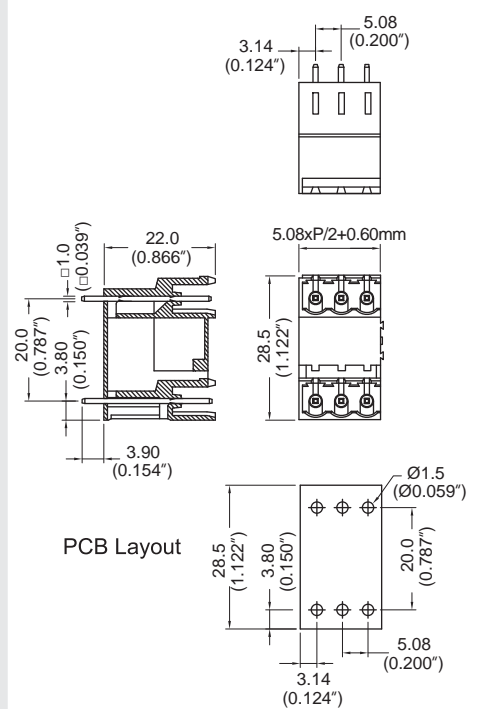
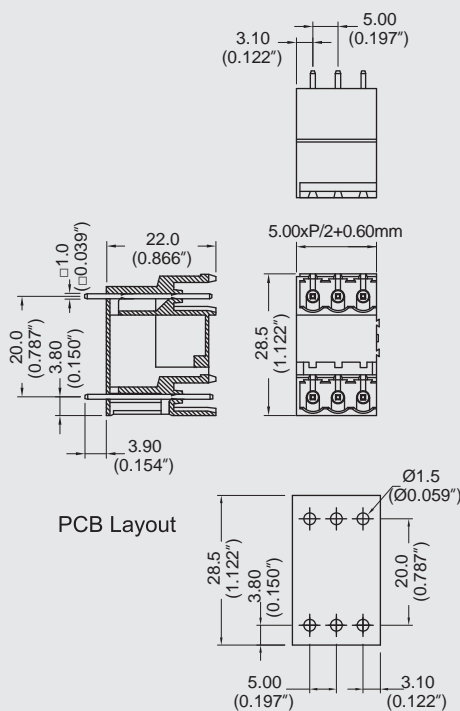
ME24L Male Connector, Double Level Header - Modular



| DIMENSIONS/POSITIONS | | ME24L-500M | ME24L-508M |
|----------------------|-----------------------|-------------------|-------------------|
| 間距 | Pitch | 5.00mm | 5.08mm |
| 位數 | Poles | 4 ~ 6Poles | 4 ~ 6Poles |
| 塑膠本體 | Housing Material | PA 66 | PA 66 |
| 焊針 | Pin Dimensions | Brass, Tin Plated | Brass, Tin Plated |
| PCB孔徑 | PCB Hole Diameter | 1.5mm | 1.5mm |
| 環境作業溫度 | Operating Temperature | -40°C to +105°C | -40°C to +105°C |

TECHNICAL DATA

| | | | |
|---|--------------------------------|------|------|
| 連接符合標準 Connection in acc. with standard EN-VDE | | | |
| 額定電流 I _n | Nominal Current I _n | 16A | 16A |
| 額定橫截面 | Nominal Cross Section | - | - |
| 最大負載電流 | Maximum load current | 16A | 16A |
| 絕緣材料 | Insulating Material | PA | PA |
| 阻燃等級,符合UL94 Inflammability class acc. to UL94 | | V0 | V0 |
| 額定電壓,UL/CUL Nominal voltage, UL/CUL | | 300V | 300V |
| 額定電流,UL/CUL Nominal current, UL/CUL | | 16A | 16A |



ME