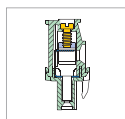


# MC200 Pluggable PCB Connector, Plug



MC

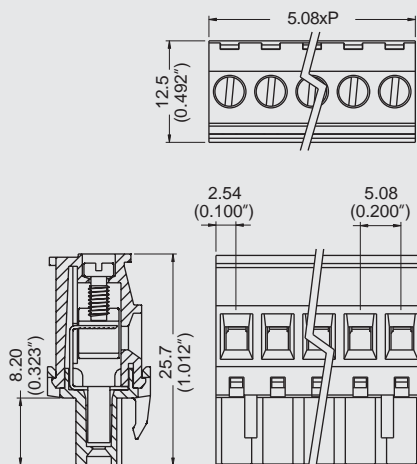
### DIMENSIONS/POSITIONS

### MC200-F1

間距	Pitch	5.08mm
位數	Poles	2 ~ 24Poles
塑膠本體	Housing Material	PA 66
壓線圈	Cage Clamp	Brass, Tin Plated
導電夾片	Contact	Phosphor Bronze, Tin Plated
螺紋	Screw Thread	M2.6, Steel, Ni Plated
電線線徑	Wire Size	12 ~ 24AWG
剝線長度	Wire Strip Length	7mm
最大緊固扭矩	Tightening Torque, Max.	7.0 Lb-in
環境作業溫度	Operating Temperature	-40°C to +105°C

### TECHNICAL DATA

連接符合標準 Connection in acc. with standard EN-VDE		
額定電流 I <sub>n</sub>	Nominal Current I <sub>n</sub>	16A
額定橫截面	Nominal Cross Section	2.5mm <sup>2</sup>
最大負載電流	Maximum load current	16A
絕緣材料	Insulating Material	PA
阻燃等級,符合UL94 Inflammability class acc. to UL94		V0
額定電壓,UL/CUL Nominal voltage, UL/CUL		300V
額定電流,UL/CUL Nominal current, UL/CUL		16A



Note:  
Screw Plating: Changes are available upon request